

ASHBY LIFT

OVAL AND STRAIGHT RAISERS

Part No: 66294 + 66394

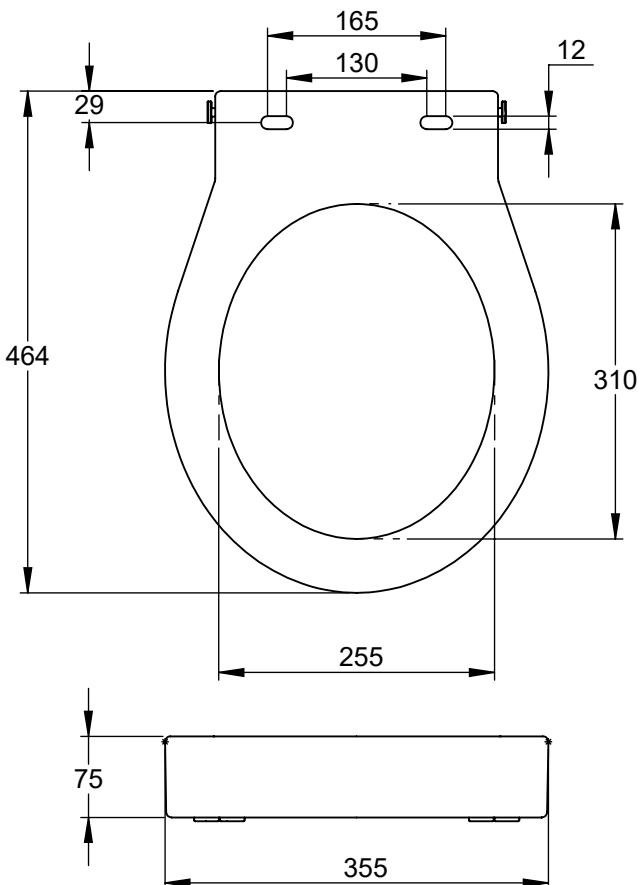


GORDON
ELLIS
& CO

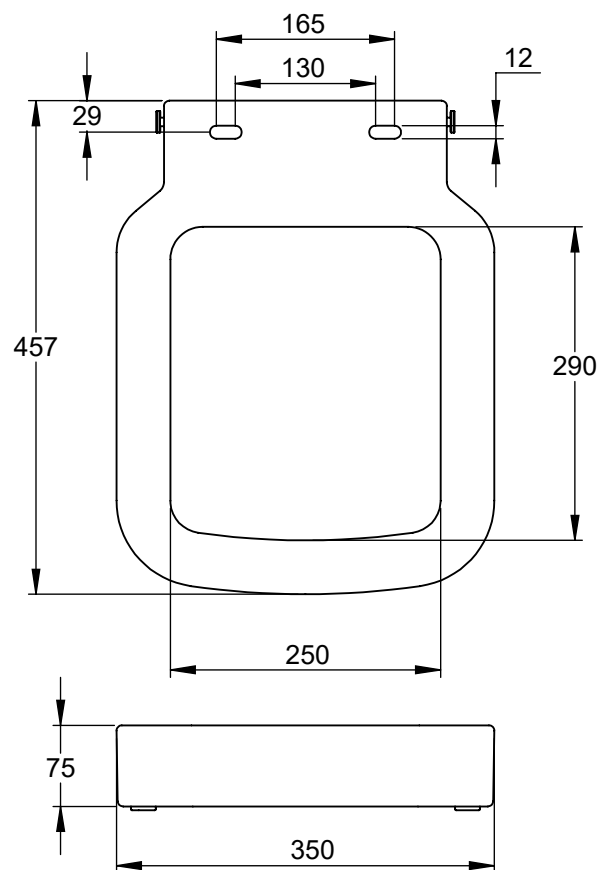
PRODUCT DRAWING



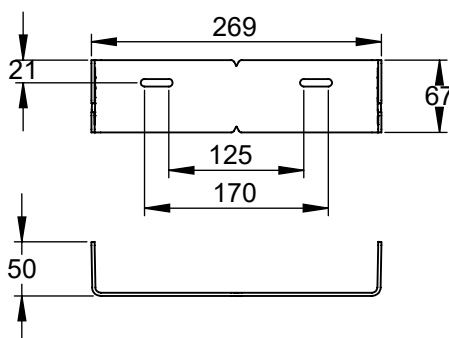
66294 - ASHBY LIFT OVAL



66394 - ASHBY LIFT STRAIGHT



FIXING BRACKET



TECHNICAL SPECIFICATIONS



MATERIAL(S): MDPE, STAINLESS STEEL, NBR

CONSULT INSTRUCTIONS FOR USE

Gordon Ellis & Co. Trent Lane, Castle Donington, Derby. DE74 2AT. England

View our entire range online at: GordonEllisHealthcare.co.uk