

PRIMA TOILET AIDS

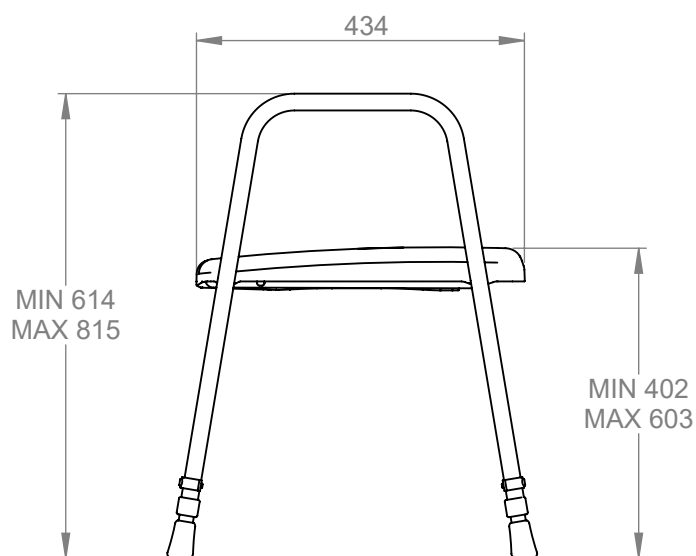
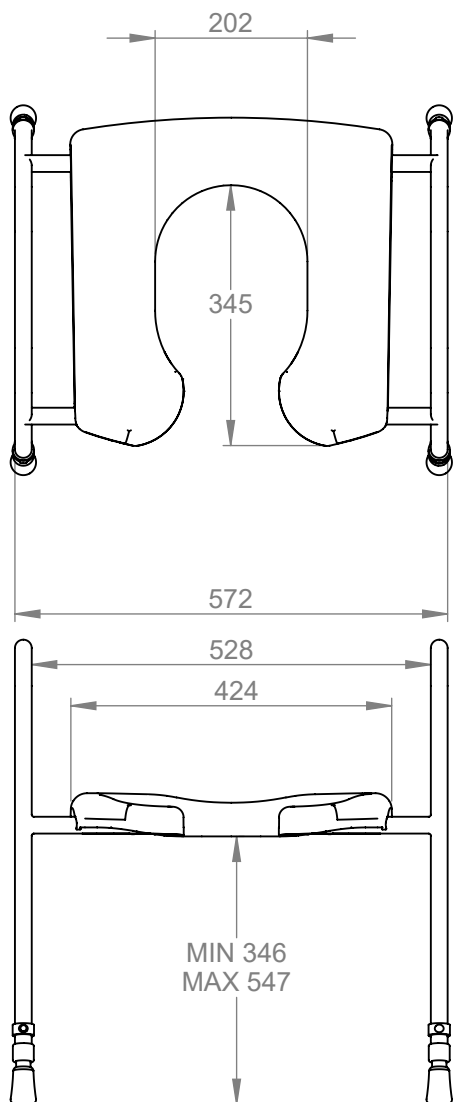
HORSESHOE TOILET AIDS

Part No: 68020/H



GORDON
ELLIS
& CO

PRODUCT DRAWING



TECHNICAL SPECIFICATIONS



190 kg
420 lbs

MATERIAL(S): PP, TPE, MILD STEEL



CONSULT INSTRUCTIONS FOR USE



Gordon Ellis & Co. Trent Lane, Castle Donington, Derby. DE74 2AT. England

View our entire range online at: GordonEllisHealthcare.co.uk