

PRIMA TOILET AID

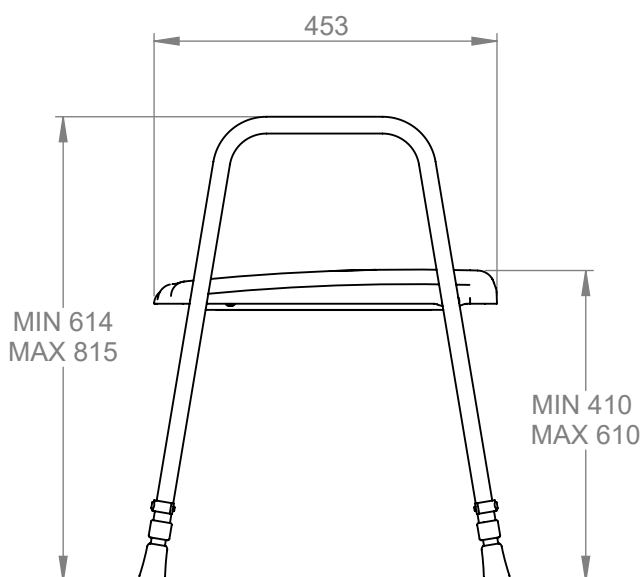
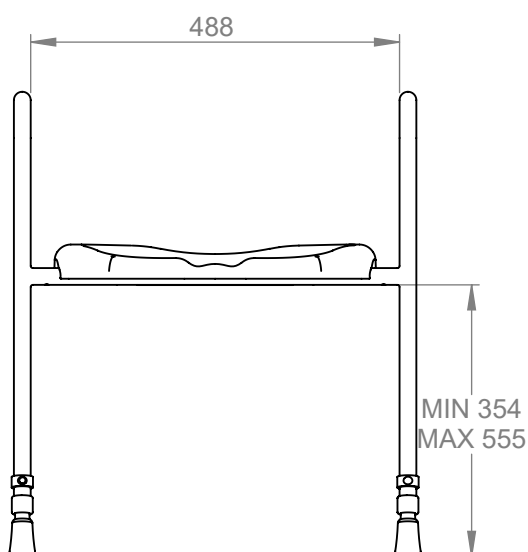
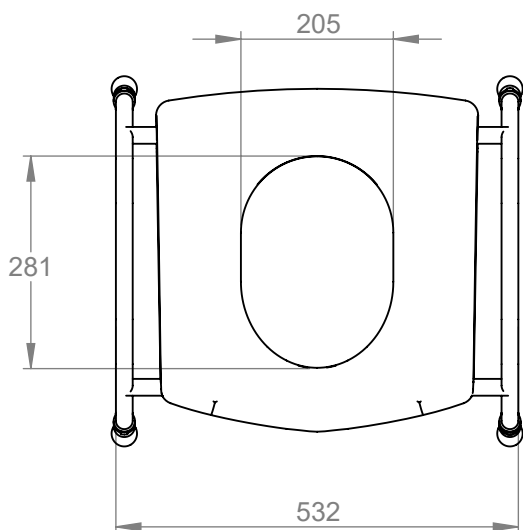
CLASSIC TOILET AID

Part No: 68000



GORDON
ELLIS
& CO

PRODUCT DRAWING



TECHNICAL SPECIFICATIONS



MATERIAL(S): PP, TPE, MILD STEEL

CONSULT INSTRUCTIONS FOR USE

Gordon Ellis & Co. Trent Lane, Castle Donington, Derby. DE74 2AT. England

View our entire range online at: GordonEllisHealthcare.co.uk