

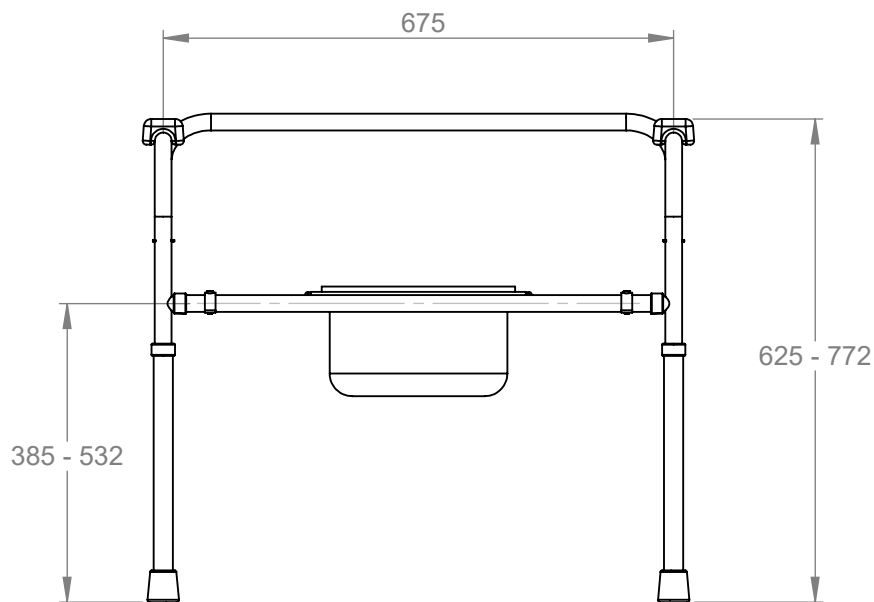
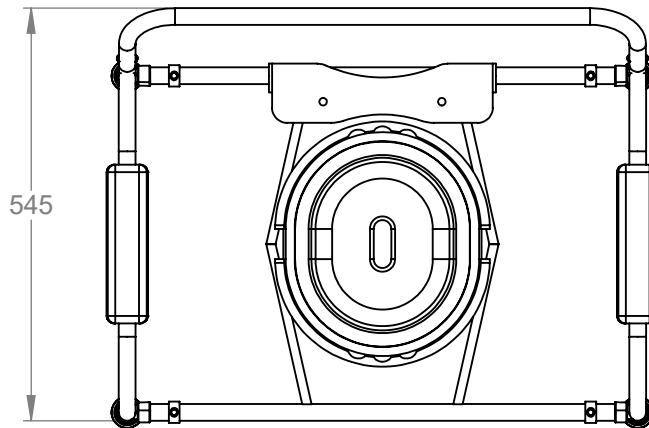
BIG JOHN COMMUNE

Part No: 66250, 66250/SET



GORDON
ELLIS
& CO

PRODUCT DRAWING



TECHNICAL SPECIFICATIONS



318 kg
700 lbs

MATERIAL(S): ABS, PP, MILD STEEL



CONSULT INSTRUCTIONS FOR USE



Gordon Ellis & Co. Trent Lane, Castle Donington, Derby. DE74 2AT. England

View our entire range online at: GordonEllisHealthcare.co.uk