

DERBY IN BATH SEAT

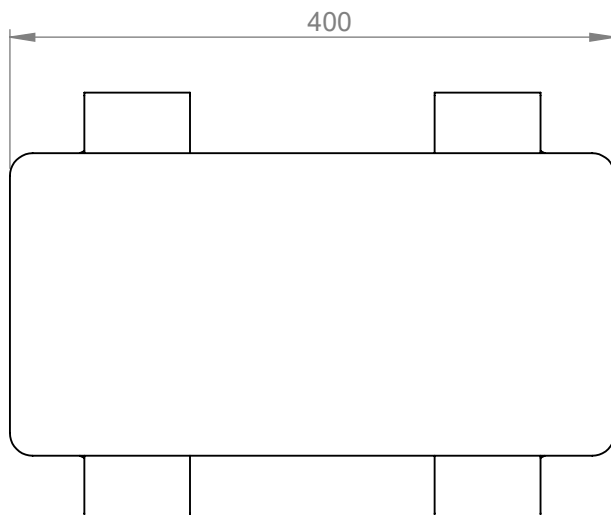
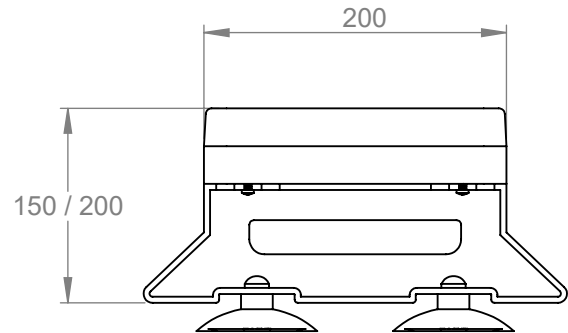
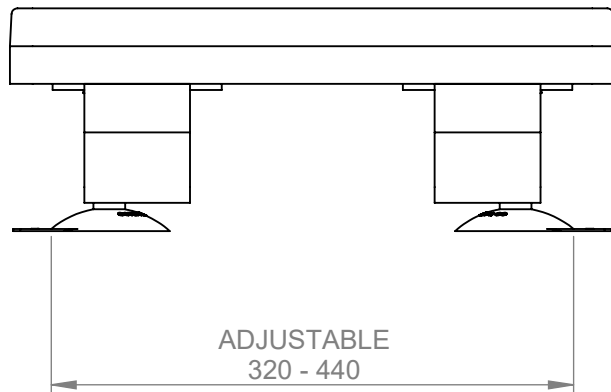
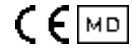
15cm AND 20cm

Part No: 6006/W, 6008/W



GORDON
ELLIS
& CO

PRODUCT DRAWING



PRODUCT WEIGHT - 1.7 KG
SHIPPING WEIGHT - 1.985 KG

TECHNICAL SPECIFICATIONS



MATERIAL(S): ABS

CONSULT INSTRUCTIONS FOR USE

Gordon Ellis & Co. Trent Lane, Castle Donington, Derby. DE74 2AT. England

View our entire range online at: GordonEllisHealthcare.co.uk