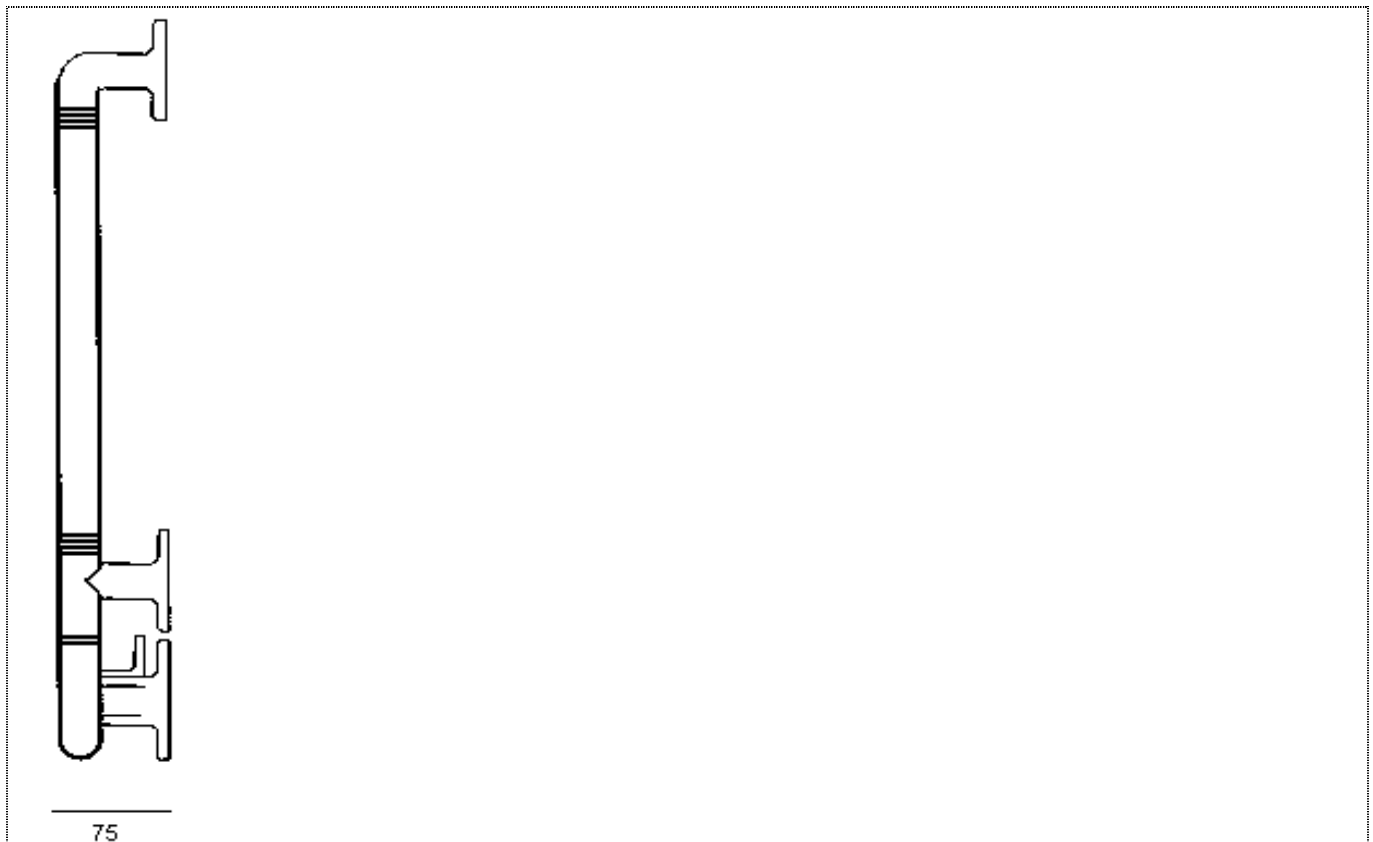
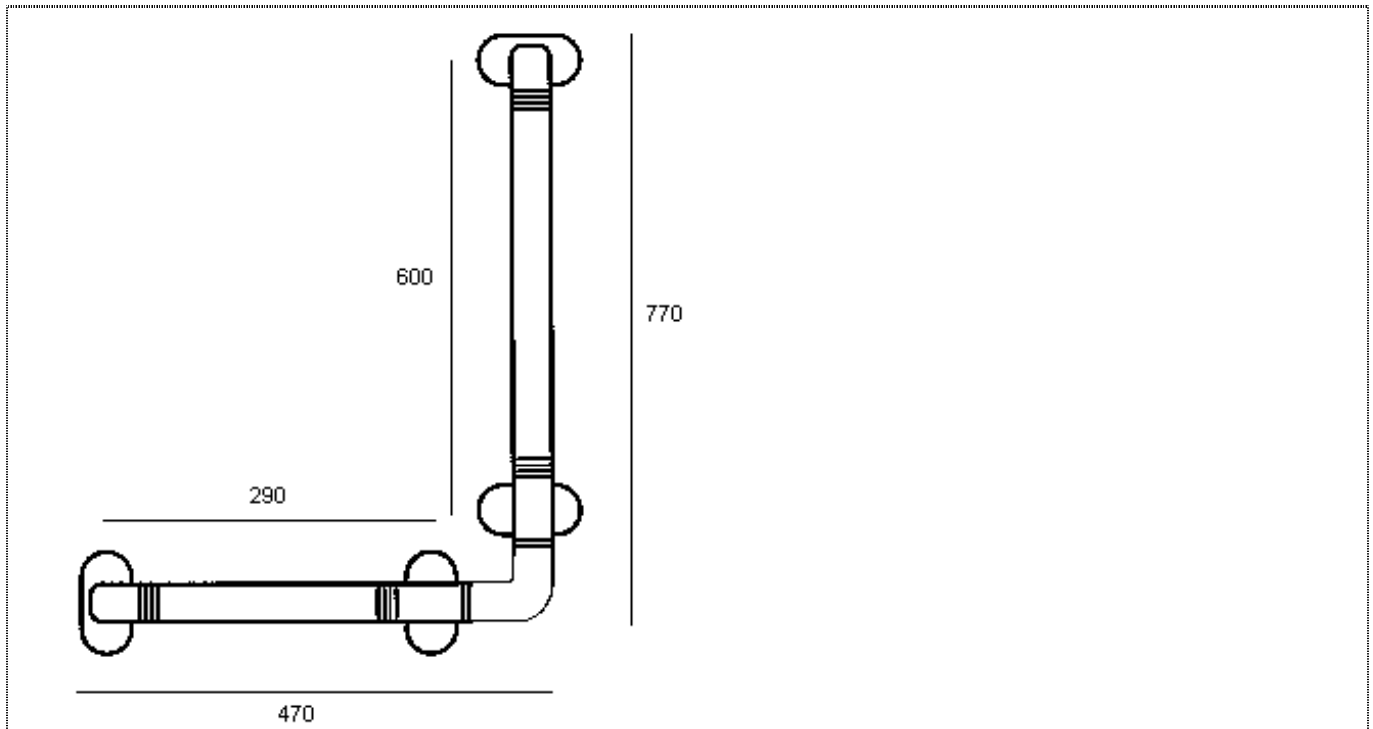


PRODUCT DRAWINGDescription: **Shower Rail Kit**Code: **6260**

Product weight	0.625 kg. (shipping weight: 0.825 kg.)
Maximum user weight	115 kg.