

# LANGHAM SUREGRIP

## FURNITURE RAISER AND BLOCK ADAPTER

Part No: 60570



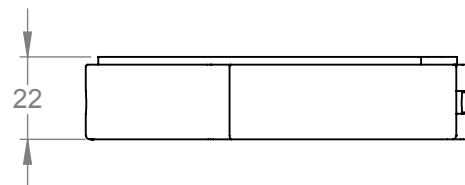
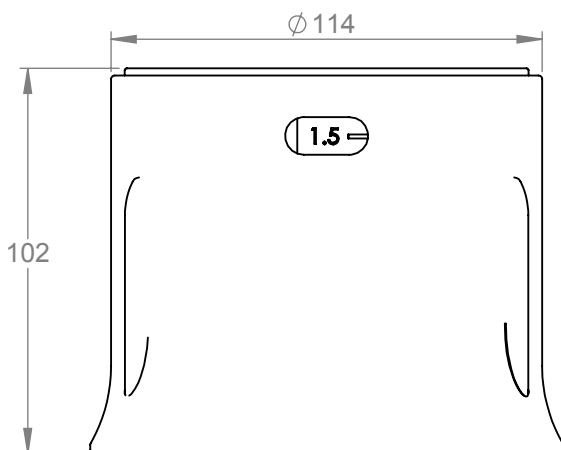
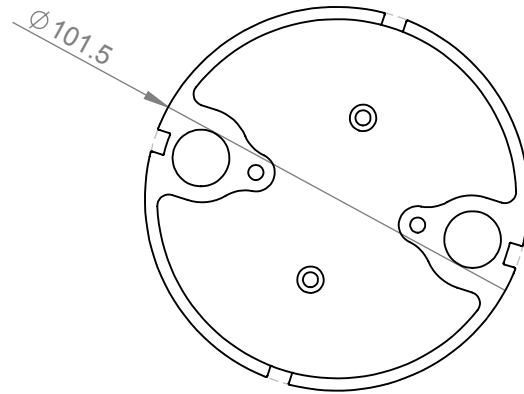
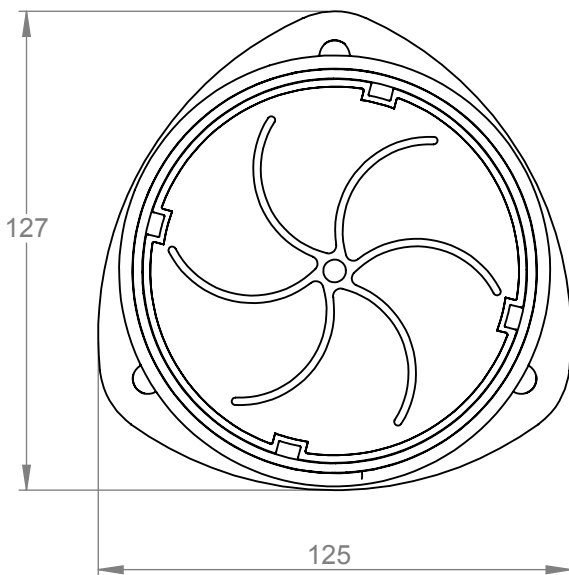
GORDON  
ELLIS  
& CO

### PRODUCT DRAWING



#### FURNITURE RAISER

#### BLOCK ADAPTER



### TECHNICAL SPECIFICATIONS



700 kg  
1540 lbs

MATERIAL(S): PP



CONSULT INSTRUCTIONS FOR USE



Gordon Ellis & Co. Trent Lane, Castle Donington, Derby. DE74 2AT. England

View our entire range online at: [GordonEllisHealthcare.co.uk](http://GordonEllisHealthcare.co.uk)

# LANGHAM SUREGRIP

## LINK ARM AND SPREADER BAR

Part No: 60571, 60572

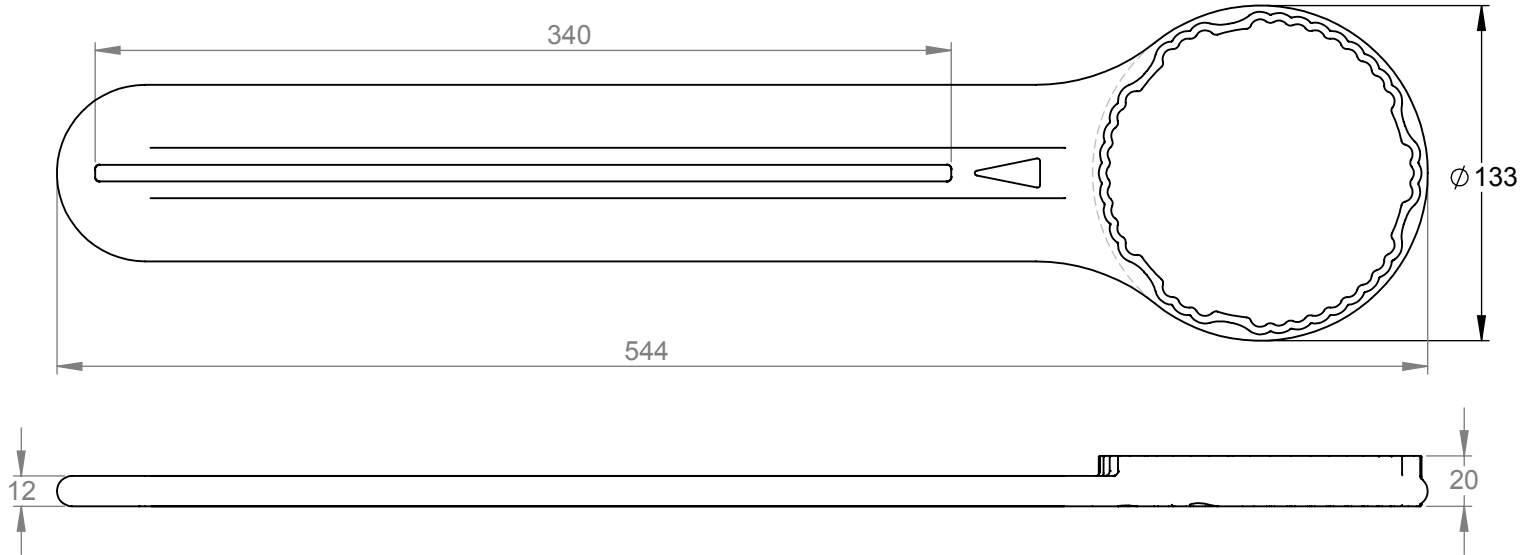


GORDON  
ELLIS  
& CO

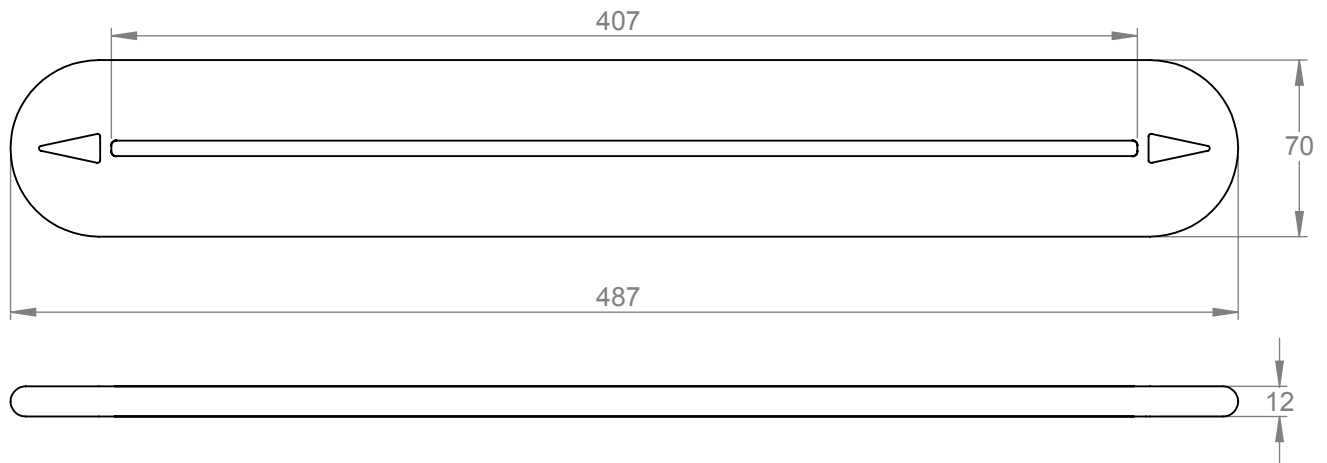
### PRODUCT DRAWING



#### LINK ARM



#### SPREADER BAR



### TECHNICAL SPECIFICATIONS



700 kg  
1540 lbs

MATERIAL(S): PP



CONSULT INSTRUCTIONS FOR USE



Gordon Ellis & Co. Trent Lane, Castle Donington, Derby. DE74 2AT. England

View our entire range online at: [GordonEllisHealthcare.co.uk](http://GordonEllisHealthcare.co.uk)